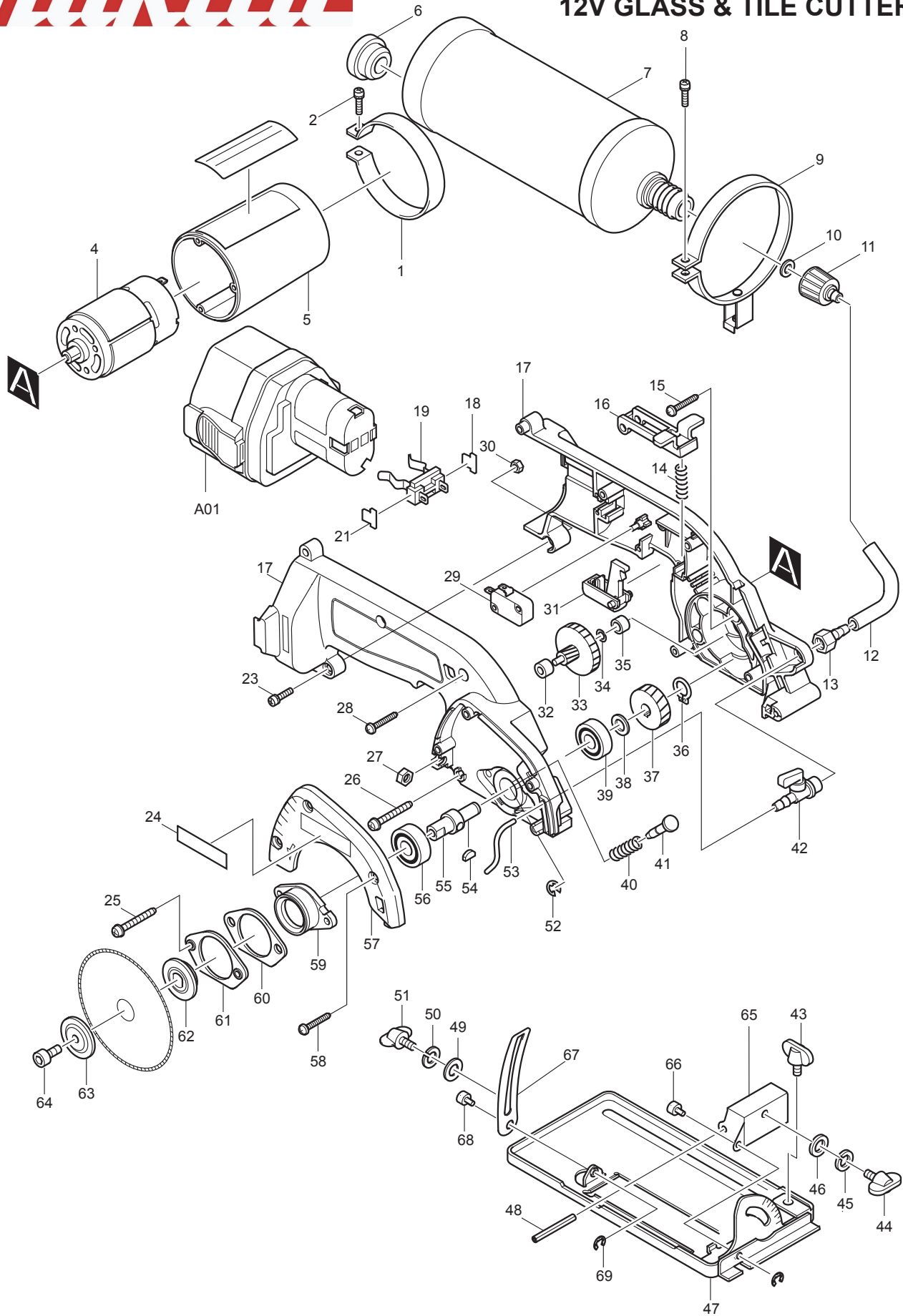




03 - 2010
4191DWA / 4191DWD / 4191DZ
12V GLASS & TILE CUTTER



Item No	Type	Ref	Part No	Description	Qty	Unit
1			343530-1	BAND B	1	PC.
2			911146-6	PAN HEAD SCREW M4X25 (OLD# 911148-2)	1	PC.
4			629688-3	DC MOTOR 12V	1	PC.
		INC.	221882-9	SPUR GEAR 15	1	PC.
5			416142-4	MOTOR HOUSING	1	PC.
6			421198-4	CAP	1	PC.
7			242030-7	TANK	1	PC.
8			911146-6	PAN HEAD SCREW M4X25 (OLD# 911148-2)	1	PC.
9			163159-5	TANK HOLDER (OLD# 163159-5A)	1	PC.
10			261056-0	RUBBER WASHER 12	1	PC.
11			416146-6	CAP	1	PC.
12			416186-4	VINYL TUBE 5	1	PC.
13			416145-8	* NUT	1	PC.
14			233024-3	COMPRESSION SPRING 4	1	PC.
15			265995-6	TAPPING SCREW 4X18	3	PC.
16			415680-3	LOCK OFF LEVER	1	PC.
17			182850-6	HOUSING SET	1	SET
18			423294-4	RUBBER SHEET	1	PC.
19			643909-9	BATTERY HOLDER	1	PC.
21			423294-4	RUBBER SHEET	1	PC.
23			911148-2	PAN HEAD SCREW M4X25	1	PC.
24			819080-3	MAKITA LABEL	1	PC.
25			266050-7	TAPPING SCREW 4X30	2	PC.
26			266050-7	TAPPING SCREW 4X30	1	PC.
27			931202-6	HEX. NUT M5	1	PC.
28			265995-6	TAPPING SCREW 4X18	3	PC.
29			651891-8	SWITCH V-15-3A6	1	PC.
30			931102-0	HEX. NUT M4	1	PC.
31			415679-8	SWITCH LEVER	1	PC.
32			214027-6	PLANE BEARING 4	1	PC.
33			226819-1	GEAR COMPLETE 8-68	1	PC.
34			253307-5	THIN WASHER 4	1	PC.
35			214019-5	PLANE BEARING 4	1	PC.
36			961004-6	RETAINING RING S-8	1	PC.
37			226448-0	HELICAL GEAR 33	1	PC.
38			253215-0	FLAT WASHER 8	1	PC.
39			211033-2	BALL BEARING 608LB	1	PC.
40			231240-1	COMPRESSION SPRING 7	1	PC.
41			268002-4	PIN 5	1	PC.
42			152536-6	WATER SUPPLY COCK COMPLETE	1	PC.
		INC.	213014-2	O RING 3	1	PC.
43			265756-4	THUMB SCREW M5X10 (OLD# 251899-8 - N/L/A)	1	PC.
44			265756-4	THUMB SCREW M5X10 (OLD# 251899-8 - N/L/A)	1	PC.
45			942101-7	SPRING WASHER 5	1	PC.
46			941101-4	FLAT WASHER 5	1	PC.
47	1		168301-3	* BASE - N/L/A	1	PC.
	2		168318-6	* BASE	1	PC.
48			951131-7	SPRING PIN 4-40	1	PC.
49			941101-4	FLAT WASHER 5	1	PC.
50			942101-7	SPRING WASHER 5	1	PC.
51			265756-4	THUMB SCREW M5X10 (OLD# 251899-8 - N/L/A)	1	PC.
52			961011-9	STOP RING E-4	1	PC.

Item No	Type	Ref	Part No	Description	Qty	Unit
53			331483-6	NOZZLE	1	PC.
54			254031-3	WOODRUFF KEY 3	1	PC.
55			322810-8	SPINDLE	1	PC.
56			211061-7	BALL BEARING 6000LLB	1	PC.
57			416147-4	BLADE CASE	1	PC.
58			265995-6	TAPPING SCREW 4X18	3	PC.
59			415677-2	BEARING BOX	1	PC.
60			421561-1	PACKING	1	PC.
61			163372-5	RETAINER	1	PC.
62			224324-2	INNER FLANGE 28	1	PC.
63			224177-9	OUTER FLANGE 28	1	PC.
64			922212-4	HEX. SOCKET HEAD BOLT M5X12	1	PC.
65			344595-6	* ANGULAR GUIDE (Add)	1	PC.
66			268028-6	* PIN 5 (Add)	1	PC.
67			344593-0	* DEPTH GUIDE (Add)	1	PC.
68			268004-0	* PIN 4 (Add)	1	PC.
69			961017-7	* STOP RING E-3 (Add)	2	PC.
70			213026-5	* O RING 7 (Add)	1	PC.
100			654069-2	RECEPTACLE	2	PC.
101	1		343579-1	SET PLATE (For Non Hook Battery)	1	PC.
	2		344532-0	SET PLATE (For Non Hook Battery)	1	PC.

ACCESSORIES

- See catalogue or visit www.makita.ca for more accessories information -

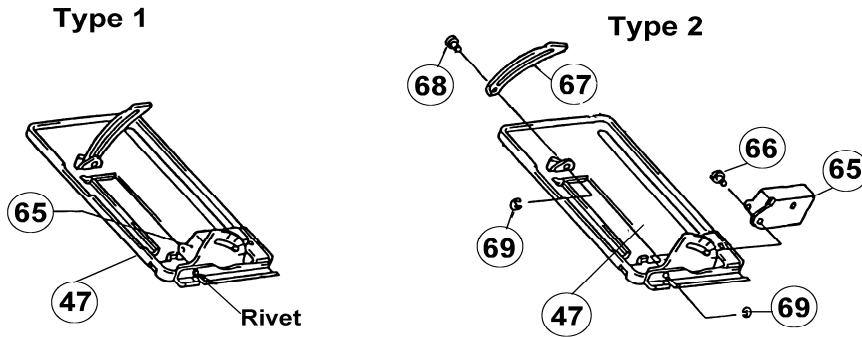
A01			193157-5	12V Ni-MH BATTERY 1234	1	PC.
			192598-2	12V Ni-CAD BATTERY 1222	1	PC.
			192681-5	12V Ni-CAD BATTERY 1220	1	PC.
A02			414938-7	BATTERY COVER	1	PC.
A03			783202-0	HEX. WRENCH 4	1	PC.
A04			724950-8C	3-3/8" DIAMOND WHEEL	1	PC.
A05	1		DC1414	CHARGER DC1414(7.2-14.4V/1.3-3.0AH)	1	PC.
	2		DC1804	CHARGER DC1804 (7.2V - 18V/1.3 - 3.0AH)	1	PC.
A07			A82445-2	PLASTIC CARRYING CASE	1	PC.
A08			A00188-3	SNAP LOCK	2	PC.

SERVICE CHANGES

1. Changes on Base

Item No.	Description	Type 1	Type 2
47	Base	168301-3	168318-6
65	Angular Gide	-----	344595-6
66	Pin 5	-----	268028-6
67	Depth Guide	-----	344593-0
68	Pin 4	-----	268004-0
69	Stop Ring E-3	-----	961017-7

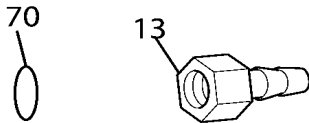
Above parts are completely interchangeable as a set.



2. Changes on Nut, Addition of O Ring

Item No.	Description	Type 1	Type 2
13	Nut		416145-8
70	O Ring 7	-----	213026-5

Above parts are completely interchangeable as a set.



Type 1 - Nut

Type 2 - Nut

